

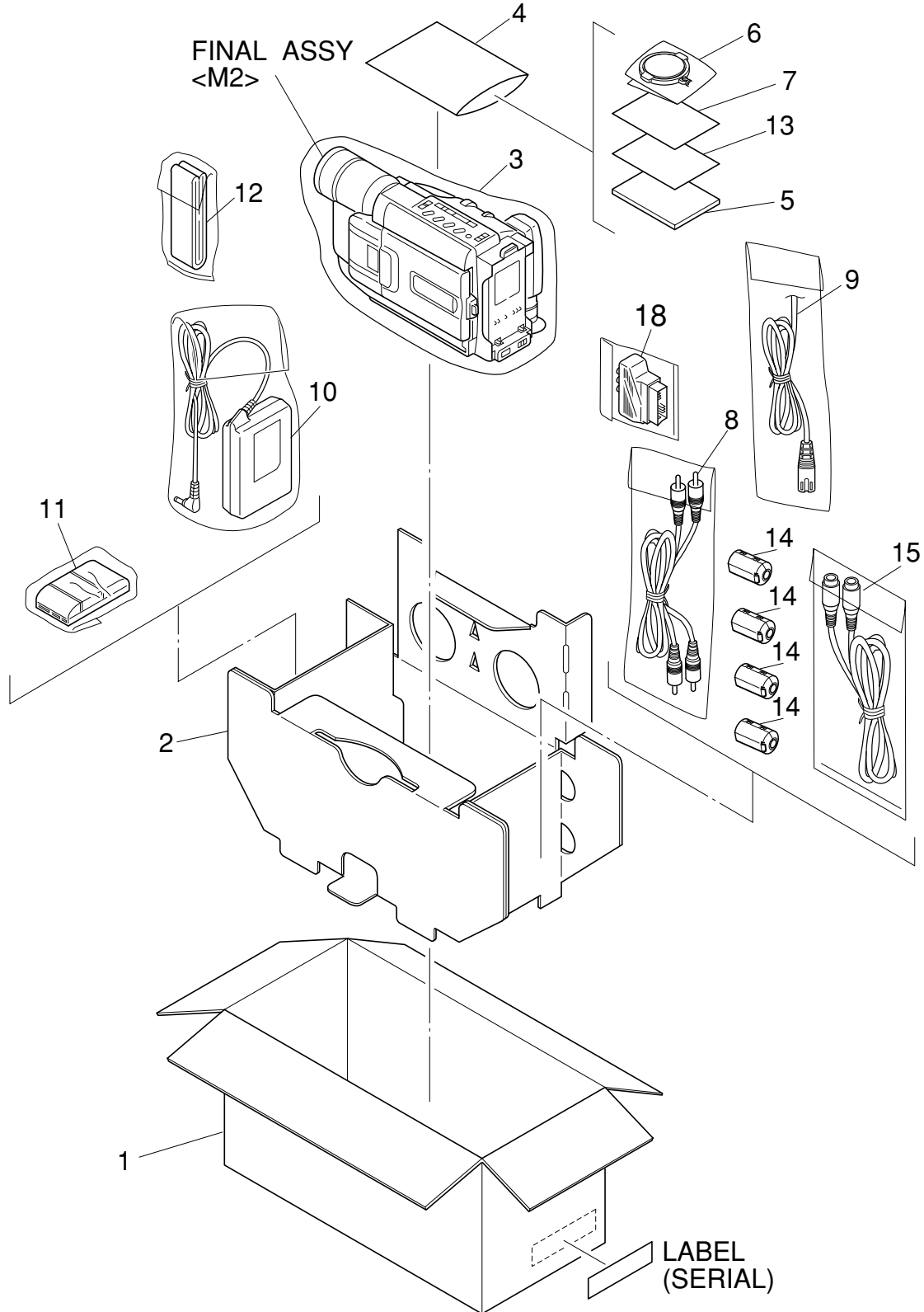
SECTION 5 PARTS LIST

SAFETY PRECAUTION

Parts identified by the  symbol are critical for safety. Replace only with specified part numbers.

5.1 PACKING AND ACCESSORY ASSEMBLY <M1>

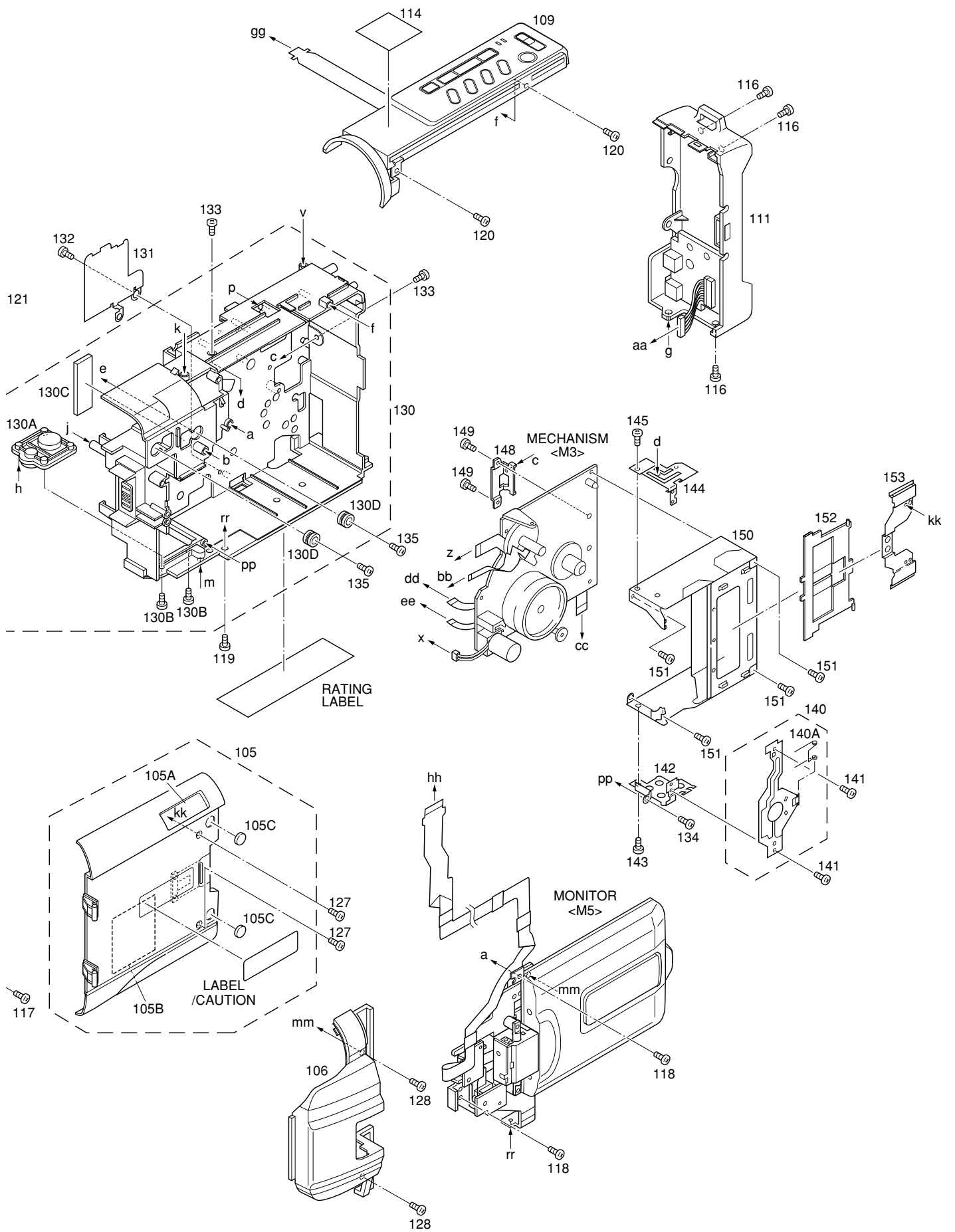
The instruction manual to be provided with this product will differ according to the destination.



△ REF No. PART No. PART NAME, DESCRIPTION

PACKING AND ACCESSORY ASSEMBLY <M1>

1	LY32179-004A	PACKING CASE
2	LY32065-001B	CUSHION
3	LY30023-002A	POLY BAG
4	YQM30061-3	POLY BAG
△ 5	LYT0672-001A	IB(EN)
6	LY41538-002B	LENS CAP
7	BT-54008-2	GUARANTY CARD
8	PEAC0362-150	CABLE ASSY(AUDIO/VIDEO)
△ 9	QMPP110-190-JR	POWER CORD
△ 10	LY20688-001C	AC ADAPTER,AP-V10EG
△ 11	YQ10629E	BATTERY PACK,BN-V11U
12	LY20186-001A	SHOULDER STRAP
13	LYT0194-001B	Q.CARD(JUK)
14	QQR0491-002	CORE FILTER,X4
15	QAM0004-003	S CABLE,S-VIDEO CABLE
18	QAM0302-001	CONNECTOR, CABLE ADAPTER



#	△ REF No.	PART No.	PART NAME, DESCRIPTION

FINAL ASSEMBLY <M2>			
101		LY20684-008A	LOWER CASE ASSY
101A		LY40081-001A	CAP
101B		LY20682-001A	GRIP BELT
101C		LY30018-003A	SPECIAL SCREW
101D		QAS0061-001	SPEAKER
101E		LY42764-001B	HOLDER(SPEAKER)
101F		QYSLSF2050Z	SCREW
102		LY31945-001C	COVER(JACK)
103		LY31946-001A	COVER(JIG)
104		LY20683-010D	FRONT COVER ASSY
104A		LY31937-001A	HOOD
104B		LY31938-001A	COVER(HOOD)
104C		LY31936-001A	RING
104D		QYSLSF2060D	SCREW,X4
104E		LY30934-020A	COVER (LIGHT)
104G		LY32043-001A	MICROPHONE
104J		LY32058-001A	STICKER(A)
104K		LY32060-002A	STICKER(C)
105		LY20694-002B	CASS.COVER(M)ASSY
105A		LY42883-001A	MARK
105B		LY40559-001A	SHIELD SHEET
105C		LY40076-001A	SPACER,X2
106		LY10257-025B	UPPER CASE(M)
109		LY20614-006B	TOP OPE UNIT
110		LY20613-001A	ZOOM UNIT
111		LY20615-004E	REAR UNIT
114		LY32061-001A	STICKER(D)
115		QYSLSF2060D	SCREW,X4
116		QYSLSF2060D	SCREW,X3
117		QYSLSF2060D	SCREW,X3
118		QYSLSF2060D	SCREW,X2
119		QYSLSP2030D	SCREW
120		QYSLSF2060D	SCREW,X2
121		QYSLSF2050Z	SCREW,X3
122		QYSLSF2060D	SCREW
123		QYSLSF2060D	SCREW
124		QYSLSF2060D	SCREW,X4
125		QYSLSF2060D	SCREW,X2
126		QYSLSF2060D	SCREW
127		QYSLSP2030D	SCREW,X2
128		QYSLSP2030D	SCREW,X2
130		LY20678-002A	FRAME ASSY
130A		YQ31843	BASE
130B		QYSLSF2060D	SCREW,X2
130C		LY30029-0A4A	SPACER(A)
130D		LY41082-001A	CUSHION(OP),X2
131		LY42758-001A	S.CASE(MAIN)
132		QYSPSTU1725M	SCREW
133		LY41173-001A	SPECIAL SCREW,X2
134		QYSLSF1750D	SCREW
135		LY30018-050A	SPECIAL SCREW,X2
136		LY42981-001A	SPECIAL SCREW
137		WJT0039-001A	E-CARD WIRE,OP-MAIN CN15
138		QYSLSF2060D	SCREW
140		LY31790-001A	FRONT FRAME ASSY
140A		YQ44144-1-1	TAPE GUIDE
141		SPSH1725M	SCREW,X2
142		LY31807-001A	SIDE BRACKET L

#	△ REF No.	PART No.	PART NAME, DESCRIPTION
143		LY42722-003A	SCREW
144		LY31806-001A	SIDE BRACKET R
145		LY42722-003A	SCREW
148		LY31816-001A	BRACKET(MECHA)
149		LY42722-003A	SCREW,X2
150		LY31808-001A	CASS.HOUSING ASSY
151		LY42722-003A	SCREW,X4
152		LY30176-001A	CASS.COV.INSIDE
153		LY31956-001A	BRACKET(C.COV.)
- OPTICAL BLOCK SECTION -			
251		LY30948-003A	OP BLOCK ASSY
251A		PTY30948-002	FOCUS MOTOR
251B		PTY30948-321	ZOOM MOTOR
251C		PTY30151-016	SCREW,X9
251D		PTY30948-006	IRIS MOTOR UNIT,INCL.FPC
252		QYSPSGU2080Z	SCREW,X2
253		LY31441-001A	SPACER RUBBER
254		LY41757-001A	OPTICAL LPF
255		LY20346-001A	CCD SPACER
256		LY30018-072A	SPECIAL SCREW
257		LYH40132-002A	CCD BASE ASSY

5.3 ELECTRICAL PARTS LIST

#	△	REF No.	PART No.	PART NAME, DESCRIPTION	#	△	REF No.	PART No.	PART NAME, DESCRIPTION	

MAIN BOARD ASSEMBLY <01>										
		PW	YB10310EQ-04	MAIN BOARD ASSY			Q2401	DTC144EE	TRANSISTOR	
		IC101	UPD703039-030	IC(MICRO C ROM)			Q3002	PUMX1	PAIR TRANSISTOR	
			or UPD70F3040-030	IC(MICRO C ROM)				or UMX1N	PAIR TRANSISTOR	
		IC102	TC7S86FU	IC(DIGITAL)				or HN1C01FU/G/-X	PAIR TRANSISTOR	
			or SN74AHC1G86K	IC			Q3003	2SC4097/QR/-X	TRANSISTOR	
			or MC74VHC1G86DF	IC			Q3006	DTC144EE	TRANSISTOR	
		IC104	AT25080N-10SC-X	IC			Q3501	HN1C01FU/G/-X	PAIR TRANSISTOR	
			or X25170S8I-2.5-X	IC			Q3502	HN1C01FU/G/-X	PAIR TRANSISTOR	
			or 25LC080-I/SN-X	IC			Q3505	DTC144EE	TRANSISTOR	
		IC105	M62367GP	IC			Q3901	HN1A01FU/G/-X	PAIR TRANSISTOR	
		IC106	IC-PST9327U-X	IC			Q4201	2SC4617/QR/-X	TRANSISTOR	
		IC107	RS5C314	IC			Q4251	RPM-22PB	PHOTO TRANSISTOR	
	△	IC1601	BD6630KV	IC			Q4501	DTC114EE	TRANSISTOR	
		IC2001	MC74AC04DT	IC			Q4706	2SC4617/QR/-X	TRANSISTOR	
		IC2401	NJM2149V-X	IC			Q4718	2SA1774/QR/-X	TRANSISTOR	
		IC3001	JCY0130	IC			Q6101	SSM6J07FU	MOS FET	
		IC3002	SN74AHC1G04K	IC			Q6201	SSM6J07FU	MOS FET	
		IC3501	HA118224F	IC			Q6301	CPH3304	MOS FET	
		IC4001	JCY0149	IC			Q6307	2SC4617/QR/-X	TRANSISTOR	
		IC4002	TMS4C2973-28-X	IC			Q6308	CPH3101	TRANSISTOR	
		IC4003	UPD6467GR-506-X	IC(MICRO C ROM)			Q6401	SSM6J07FU	MOS FET	
		IC4004	MM1385NN	IC			Q6501	SSM6J07FU	MOS FET	
		IC4201	UPC358G2/5/-W	IC			Q6601	CPH3305	MOS FET	
		IC4202	BA10324AF-XE	IC				or CPH3306	MOS FET	
		IC4251	BA10358F-XE	IC			Q6608	DTC144EE	TRANSISTOR	
		IC4501	UPD16835G3	IC			Q6621	HN1C01FU/G/-X	PAIR TRANSISTOR	
		IC4701	BA7665FS	IC			Q6622	2SA1577/QR/-X	TRANSISTOR	
		IC5201	HD49326BF	IC			Q6701	FX802	TRANSISTOR	
		IC5202	JCY0098	IC			Q6702	2SC4097/QR/-X	TRANSISTOR	
		IC6001	FA3698F	IC			Q6801	2SA1577/QR/-X	TRANSISTOR	
		IC7002	MN5814	IC			Q6811	2SB1121/TU/-X	TRANSISTOR	
		IC7006	BA4558F	IC				or 2SB1121/ST/-X	TRANSISTOR	
		IC7007	TC7S04FU	IC(DIGITAL)			Q7003	PUMX1	PAIR TRANSISTOR	
			or SN74AHC1G04K	IC				or UMX1N	PAIR TRANSISTOR	
			or MC74VHC1G04DF	IC				or HN1C01FU/G/-X	PAIR TRANSISTOR	
			or 74HC1G04GW	IC			Q7011	PUMX1	PAIR TRANSISTOR	
		IC7008	SN74LV4052APW	IC				or UMX1N	PAIR TRANSISTOR	
		Q101	2SA1774/RS/-X	TRANSISTOR				or HN1C01FU/G/-X	PAIR TRANSISTOR	
		Q102	DTC144EE	TRANSISTOR			Q7013	PUMX1	PAIR TRANSISTOR	
		Q103	2SC4617/QR/-X	TRANSISTOR				or UMX1N	PAIR TRANSISTOR	
		Q104	DTC144EE	TRANSISTOR				or HN1C01FU/G/-X	PAIR TRANSISTOR	
		Q105	2SA1774/RS/-X	TRANSISTOR			Q7015	PUMX1	PAIR TRANSISTOR	
		Q110	DTC144EE	TRANSISTOR				or UMX1N	PAIR TRANSISTOR	
		Q111	DTC114EE	TRANSISTOR				or HN1C01FU/G/-X	PAIR TRANSISTOR	
		Q112	DTC114EE	TRANSISTOR			Q7017	2SC4617/QR/-X	TRANSISTOR	
		Q113	2SC4097/QR/-X	TRANSISTOR			Q7018	2SA1774/QR/-X	TRANSISTOR	
		Q2001	DTA114TE	TRANSISTOR			Q7019	2SC4617/QR/-X	TRANSISTOR	
		Q2007	PUMX1	PAIR TRANSISTOR			Q7020	2SA1774/QR/-X	TRANSISTOR	
			or HN1C01FU/G/-X	PAIR TRANSISTOR			Q7022	DTC144EE	TRANSISTOR	
			or UMX1N	PAIR TRANSISTOR			△	D101	SB007W03Q	SB DIODE
		Q2008	PUMT1	PAIR TRANSISTOR				D102	UDZS7.5B	ZENER DIODE
			or HN1A01FU/G/-X	PAIR TRANSISTOR				D105	1SS355	DIODE
			or UMT1N	PAIR TRANSISTOR				D106	1SS355	DIODE
		Q2021	DTC144EE	TRANSISTOR				D107	SB007W03Q	SB DIODE
		Q2022	DTC144EE	TRANSISTOR				D108	UDZS5.1B	ZENER DIODE
		Q2023	2SC4617/QR/-X	TRANSISTOR				D501	MA8068	ZENER DIODE
		Q2071	2SC4617/QR/-X	TRANSISTOR				D502	MA8068	ZENER DIODE
								D3001	DAN222	DIODE
								D4001	UDZS5.1B	ZENER DIODE
								D4002	UDZS5.1B	ZENER DIODE
								D5201	1SS355	DIODE

#	△ REF No.	PART No.	PART NAME, DESCRIPTION	#	△ REF No.	PART No.	PART NAME, DESCRIPTION	
	D6001	CRS03	SB DIODE	R159	NRSA63J-474X	MG RESISTOR	470kΩ,1/16W	
	D6101	CRS03	SB DIODE	R160	NRSA63J-474X	MG RESISTOR	470kΩ,1/16W	
	D6201	CRS03	SB DIODE	R161	NRSA63J-104X	MG RESISTOR	100kΩ,1/16W	
	D6301	CRS03	SB DIODE	R162	NRSA63J-472X	MG RESISTOR	4.7kΩ,1/16W	
	D6401	CRS03	SB DIODE	R163	NRSA63J-221X	MG RESISTOR	220Ω,1/16W	
	D6501	CRS03	SB DIODE	R164	NRSA63J-472X	MG RESISTOR	4.7kΩ,1/16W	
	D6601	1SS383	SB DIODE	R166	NRSA63J-103X	MG RESISTOR	10kΩ,1/16W	
	D6616	UDZ5.1(B)	ZENER DIODE	R167	NRSA63J-183X	MG RESISTOR	18kΩ,1/16W	
	D7002	MA365	VARI CAP DIODE	R168	NRSA63J-562X	MG RESISTOR	5.6kΩ,1/16W	
	D7004	RB471E	SB DIODE	R170	NRSA63J-333X	MG RESISTOR	33kΩ,1/16W	
	D7007	UDZS5.1B	ZENER DIODE	R171	NRSA63J-104X	MG RESISTOR	100kΩ,1/16W	
	R101	NRSA63J-104X	MG RESISTOR	100kΩ,1/16W	R172	NRSA63J-151X	MG RESISTOR	150Ω,1/16W
△	R104	NRSA63J-102X	MG RESISTOR	1kΩ,1/16W	R173	NRSA63J-0R0X	MG RESISTOR	0Ω,1/16W
	R105	NRSA63J-103X	MG RESISTOR	10kΩ,1/16W	R174	NRSA63J-0R0X	MG RESISTOR	0Ω,1/16W
	R106	NRSA63J-561X	MG RESISTOR	560Ω,1/16W	R175	NRSA63J-105X	MG RESISTOR	1MΩ,1/16W
	R107	NRVA63D-153X	CMF RESISTOR	15kΩ,1/16W	R176	NRSA63J-221X	MG RESISTOR	220Ω,1/16W
	R108	NRVA63D-243X	CMF RESISTOR	24kΩ,1/16W	R180	NRSA63J-331X	MG RESISTOR	330Ω,1/16W
	R109	NRVA63D-183X	CMF RESISTOR	18kΩ,1/16W	R182	NRSA63J-222X	MG RESISTOR	2.2kΩ,1/16W
	R110	NRSA63J-103X	MG RESISTOR	10kΩ,1/16W	R183	NRSA63J-222X	MG RESISTOR	2.2kΩ,1/16W
	R111	NRSA63J-273X	MG RESISTOR	27kΩ,1/16W	R184	NRSA63J-222X	MG RESISTOR	2.2kΩ,1/16W
	R112	NRSA63J-331X	MG RESISTOR	330Ω,1/16W	R188	NRSA63J-222X	MG RESISTOR	2.2kΩ,1/16W
	R113	NRSA63J-562X	MG RESISTOR	5.6kΩ,1/16W	R190	NRSA63J-331X	MG RESISTOR	330Ω,1/16W
	R114	NRSA63J-821X	MG RESISTOR	820Ω,1/16W	R191	NRSA63J-0R0X	MG RESISTOR	0Ω,1/16W
	R115	NRSA63J-101X	MG RESISTOR	100Ω,1/16W	R192	NRSA63J-105X	MG RESISTOR	1MΩ,1/16W
	R116	NRSA63J-102X	MG RESISTOR	1kΩ,1/16W	R195	NRSA63J-0R0X	MG RESISTOR	0Ω,1/16W
	R118	NRSA63J-103X	MG RESISTOR	10kΩ,1/16W	R504	NRSA63J-221X	MG RESISTOR	220Ω,1/16W
	R119	NRSA63J-103X	MG RESISTOR	10kΩ,1/16W	R505	NRSA63J-331X	MG RESISTOR	330Ω,1/16W
	R120	NRSA63J-273X	MG RESISTOR	27kΩ,1/16W	R1601	NRV142F-R33X	CMF RESISTOR	0.33Ω,1/4W
	R121	NRSA63J-273X	MG RESISTOR	27kΩ,1/16W	R1602	NRV142F-R33X	CMF RESISTOR	0.33Ω,1/4W
	R122	NRSA63J-393X	MG RESISTOR	39kΩ,1/16W	R1603	NRSA63J-154X	MG RESISTOR	150kΩ,1/16W
	R123	NRSA63J-104X	MG RESISTOR	100kΩ,1/16W	R1604	NRSA63J-102X	MG RESISTOR	1kΩ,1/16W
	R124	NRSA63J-104X	MG RESISTOR	100kΩ,1/16W	R1605	NRSA63J-102X	MG RESISTOR	1kΩ,1/16W
	R125	NRSA63J-273X	MG RESISTOR	27kΩ,1/16W	R1606	NRSA63J-102X	MG RESISTOR	1kΩ,1/16W
	R126	NRSA63J-153X	MG RESISTOR	15kΩ,1/16W	R1607	NRSA63J-104X	MG RESISTOR	100kΩ,1/16W
	R127	NRSA63J-221X	MG RESISTOR	220Ω,1/16W	R1608	NRSA63J-104X	MG RESISTOR	100kΩ,1/16W
	R128	NRSA63J-102X	MG RESISTOR	1kΩ,1/16W	R1609	NRSA63J-333X	MG RESISTOR	33kΩ,1/16W
	R129	NRSA63J-102X	MG RESISTOR	1kΩ,1/16W	R1610	NRSA63J-103X	MG RESISTOR	10kΩ,1/16W
	R130	NRSA63J-105X	MG RESISTOR	1MΩ,1/16W	R1612	NRSA63J-392X	MG RESISTOR	3.9kΩ,1/16W
	R131	NRSA63J-105X	MG RESISTOR	1MΩ,1/16W	R1613	NRSA63J-104X	MG RESISTOR	100kΩ,1/16W
	R132	NRSA63J-105X	MG RESISTOR	1MΩ,1/16W	R1614	NRSA63J-333X	MG RESISTOR	33kΩ,1/16W
	R133	NRSA63J-105X	MG RESISTOR	1MΩ,1/16W	R1615	NRSA63J-103X	MG RESISTOR	10kΩ,1/16W
	R134	NRSA63J-105X	MG RESISTOR	1MΩ,1/16W	R1617	NRSA63J-183X	MG RESISTOR	18kΩ,1/16W
	R135	NRSA63J-104X	MG RESISTOR	100kΩ,1/16W	R1618	NRSA63J-154X	MG RESISTOR	150kΩ,1/16W
	R136	NRSA63J-474X	MG RESISTOR	470kΩ,1/16W	R1619	NRSA63J-471X	MG RESISTOR	470Ω,1/16W
	R138	NRSA63J-333X	MG RESISTOR	33kΩ,1/16W	R1620	NRSA63J-684X	MG RESISTOR	680kΩ,1/16W
	R139	NRSA63J-104X	MG RESISTOR	100kΩ,1/16W	R1621	NRSA63J-102X	MG RESISTOR	1kΩ,1/16W
	R140	NRSA63J-753X	MG RESISTOR	75kΩ,1/16W	R1622	NRSA63J-224X	MG RESISTOR	220kΩ,1/16W
	R141	NRSA63J-334X	MG RESISTOR	330kΩ,1/16W	R1623	NRSA63J-223X	MG RESISTOR	22kΩ,1/16W
	R142	NRSA63J-103X	MG RESISTOR	10kΩ,1/16W	R1624	NRSA63J-104X	MG RESISTOR	100kΩ,1/16W
	R143	NRSA63J-105X	MG RESISTOR	1MΩ,1/16W	R1625	NRSA63J-104X	MG RESISTOR	100kΩ,1/16W
	R144	NRSA63J-221X	MG RESISTOR	220Ω,1/16W	R1626	NRSA63J-104X	MG RESISTOR	100kΩ,1/16W
	R145	NRSA63J-222X	MG RESISTOR	2.2kΩ,1/16W	R1628	NRSA63J-0R0X	MG RESISTOR	0Ω,1/16W
	R146	NRSA63J-474X	MG RESISTOR	470kΩ,1/16W	R1629	NRSA63J-0R0X	MG RESISTOR	0Ω,1/16W
	R147	NRSA63J-472X	MG RESISTOR	4.7kΩ,1/16W	R1630	NRSA63J-0R0X	MG RESISTOR	0Ω,1/16W
	R148	NRSA63J-0R0X	MG RESISTOR	0Ω,1/16W	R1631	NRSA63J-122X	MG RESISTOR	1.2kΩ,1/16W
	R149	NRSA63J-104X	MG RESISTOR	100kΩ,1/16W	R1632	NRSA63J-153X	MG RESISTOR	15kΩ,1/16W
	R150	NRSA63J-222X	MG RESISTOR	2.2kΩ,1/16W	R1633	NRSA63J-683X	MG RESISTOR	68kΩ,1/16W
	R151	NRSA63J-222X	MG RESISTOR	2.2kΩ,1/16W	R2001	NRSA63J-104X	MG RESISTOR	100kΩ,1/16W
	R152	NRSA63J-474X	MG RESISTOR	470kΩ,1/16W	R2002	NRSA63J-332X	MG RESISTOR	3.3kΩ,1/16W
	R153	NRSA63J-474X	MG RESISTOR	470kΩ,1/16W	R2003	NRSA63J-102X	MG RESISTOR	1kΩ,1/16W
	R158	NRSA63J-474X	MG RESISTOR	470kΩ,1/16W	R2004	NRSA63J-681X	MG RESISTOR	680Ω,1/16W

#	△ REF No.	PART No.	PART NAME, DESCRIPTION		#	△ REF No.	PART No.	PART NAME, DESCRIPTION	
	R2005	NRSA63J-272X	MG RESISTOR	2.7kΩ,1/16W		R4018	NRSA63J-103X	MG RESISTOR	10kΩ,1/16W
	R2006	NRSA63J-102X	MG RESISTOR	1kΩ,1/16W		R4021	NRSA63J-0R0X	MG RESISTOR	0Ω,1/16W
	R2011	NRSA63J-101X	MG RESISTOR	100Ω,1/16W		R4022	NRSA63J-0R0X	MG RESISTOR	0Ω,1/16W
	R2012	NRSA63J-101X	MG RESISTOR	100Ω,1/16W		R4036	NRSA63J-0R0X	MG RESISTOR	0Ω,1/16W
	R2021	NRSA63J-103X	MG RESISTOR	10kΩ,1/16W		R4037	NRSA63J-102X	MG RESISTOR	1kΩ,1/16W
	R2022	NRSA63J-334X	MG RESISTOR	330kΩ,1/16W		R4201	NRSA63J-103X	MG RESISTOR	10kΩ,1/16W
	R2023	NRSA63J-820X	MG RESISTOR	82Ω,1/16W		R4202	NRSA63J-563X	MG RESISTOR	56kΩ,1/16W
	R2024	NRVA63D-183X	CMF RESISTOR	18kΩ,1/16W		R4203	NRSA63J-103X	MG RESISTOR	10kΩ,1/16W
	R2025	NRSA63J-823X	MG RESISTOR	82kΩ,1/16W		R4204	NRSA63J-331X	MG RESISTOR	330Ω,1/16W
	R2027	NRSA63J-102X	MG RESISTOR	1kΩ,1/16W		R4205	NRSA63J-105X	MG RESISTOR	1MΩ,1/16W
	R2028	NRSA63J-102X	MG RESISTOR	1kΩ,1/16W		R4206	NRSA63J-103X	MG RESISTOR	10kΩ,1/16W
	R2030	NRSA63J-104X	MG RESISTOR	100kΩ,1/16W		R4207	NRSA63J-104X	MG RESISTOR	100kΩ,1/16W
	R2031	NRSA63J-332X	MG RESISTOR	3.3kΩ,1/16W		R4208	NRSA63J-472X	MG RESISTOR	4.7kΩ,1/16W
	R2032	NRSA63J-270X	MG RESISTOR	27Ω,1/16W		R4209	NRSA63J-104X	MG RESISTOR	100kΩ,1/16W
	R2051	NRSA63J-102X	MG RESISTOR	1kΩ,1/16W		R4210	NRSA63J-105X	MG RESISTOR	1MΩ,1/16W
	R2071	NRSA63J-473X	MG RESISTOR	47kΩ,1/16W		R4211	NRSA63J-243X	MG RESISTOR	24kΩ,1/16W
	R2072	NRSA63J-562X	MG RESISTOR	5.6kΩ,1/16W		R4214	NRSA63J-472X	MG RESISTOR	4.7kΩ,1/16W
	R2401	NRSA63J-392X	MG RESISTOR	3.9kΩ,1/16W		R4215	NRSA63J-683X	MG RESISTOR	68kΩ,1/16W
	R2402	NRSA63J-332X	MG RESISTOR	3.3kΩ,1/16W		R4216	NRSA63J-103X	MG RESISTOR	10kΩ,1/16W
	R2403	NRSA63J-103X	MG RESISTOR	10kΩ,1/16W		R4217	NRSA63J-102X	MG RESISTOR	1kΩ,1/16W
	R3001	NRSA63J-105X	MG RESISTOR	1MΩ,1/16W		R4218	NRSA63J-102X	MG RESISTOR	1kΩ,1/16W
	R3002	NRVA63D-471X	CMF RESISTOR	470Ω,1/16W		R4219	NRSA63J-104X	MG RESISTOR	100kΩ,1/16W
	R3004	NRVA63D-333X	CMF RESISTOR	33kΩ,1/16W		R4220	NRSA63J-152X	MG RESISTOR	1.5kΩ,1/16W
	R3006	NRVA63D-561X	CMF RESISTOR	560Ω,1/16W		R4221	NRSA63J-334X	MG RESISTOR	330kΩ,1/16W
	R3007	NRVA63D-183X	CMF RESISTOR	18kΩ,1/16W		R4222	NRSA63J-154X	MG RESISTOR	150kΩ,1/16W
	R3008	NRSA63J-393X	MG RESISTOR	39kΩ,1/16W		R4223	NRSA63J-333X	MG RESISTOR	33kΩ,1/16W
	R3009	NRSA63J-272X	MG RESISTOR	2.7kΩ,1/16W		R4224	NRSA63J-223X	MG RESISTOR	22kΩ,1/16W
	R3010	NRSA63J-332X	MG RESISTOR	3.3kΩ,1/16W		R4251	NRSA63J-182X	MG RESISTOR	1.8kΩ,1/16W
	R3014	NRSA63J-681X	MG RESISTOR	680Ω,1/16W		R4252	NRSA63J-103X	MG RESISTOR	10kΩ,1/16W
	R3015	NRSA63J-332X	MG RESISTOR	3.3kΩ,1/16W		R4253	NRSA63J-103X	MG RESISTOR	10kΩ,1/16W
	R3016	NRSA63J-332X	MG RESISTOR	3.3kΩ,1/16W		R4254	NRSA63J-684X	MG RESISTOR	680kΩ,1/16W
	R3018	NRSA63J-271X	MG RESISTOR	270Ω,1/16W		R4255	NRSA63J-222X	MG RESISTOR	2.2kΩ,1/16W
	R3023	NRSA63J-331X	MG RESISTOR	330Ω,1/16W		R4256	NRSA63J-824X	MG RESISTOR	820kΩ,1/16W
	R3027	NRSA63J-103X	MG RESISTOR	10kΩ,1/16W		R4257	NRSA63J-822X	MG RESISTOR	8.2kΩ,1/16W
	R3028	NRVA63D-472X	CMF RESISTOR	4.7kΩ,1/16W		R4258	NRSA63J-104X	MG RESISTOR	100kΩ,1/16W
	R3029	NRSA63J-0R0X	MG RESISTOR	0Ω,1/16W		R4259	NRSA63J-683X	MG RESISTOR	68kΩ,1/16W
	R3030	NRSA63J-561X	MG RESISTOR	560Ω,1/16W		R4262	NRSA63J-302X	MG RESISTOR	3kΩ,1/16W
	R3034	NRSA63J-220X	MG RESISTOR	22Ω,1/16W	△	R4501	NRSA63J-6R8X	MG RESISTOR	6.8Ω,1/16W
	R3038	NRSA63J-392X	MG RESISTOR	3.9kΩ,1/16W	△	R4502	NRSA63J-6R8X	MG RESISTOR	6.8Ω,1/16W
	R3501	NRSA63J-221X	MG RESISTOR	220Ω,1/16W	△	R4503	NRSA63J-6R8X	MG RESISTOR	6.8Ω,1/16W
	R3502	NRSA63J-102X	MG RESISTOR	1kΩ,1/16W	△	R4504	NRSA63J-6R8X	MG RESISTOR	6.8Ω,1/16W
	R3504	NRSA63J-102X	MG RESISTOR	1kΩ,1/16W		R4505	NRSA63J-271X	MG RESISTOR	270Ω,1/16W
	R3505	NRSA63J-102X	MG RESISTOR	1kΩ,1/16W		R4507	NRSA63J-103X	MG RESISTOR	10kΩ,1/16W
	R3506	NRSA63J-102X	MG RESISTOR	1kΩ,1/16W		R4508	NRSA63J-103X	MG RESISTOR	10kΩ,1/16W
	R3507	NRSA63J-101X	MG RESISTOR	100Ω,1/16W		R4514	NRSA63J-223X	MG RESISTOR	22kΩ,1/16W
	R3508	NRSA63J-153X	MG RESISTOR	15kΩ,1/16W		R4515	NRSA63J-182X	MG RESISTOR	1.8kΩ,1/16W
	R3901	NRSA63J-100X	MG RESISTOR	10Ω,1/16W		R4702	NRVA63D-221X	CMF RESISTOR	220Ω,1/16W
	R3902	NRSA63J-101X	MG RESISTOR	100Ω,1/16W		R4706	NRSA63J-681X	MG RESISTOR	680Ω,1/16W
	R3903	NRSA63J-182X	MG RESISTOR	1.8kΩ,1/16W		R4711	NRVA63D-271X	CMF RESISTOR	270Ω,1/16W
	R4001	NRSA63J-113X	MG RESISTOR	11kΩ,1/16W		R4713	NRSA63J-681X	MG RESISTOR	680Ω,1/16W
	R4002	NRSA63J-123X	MG RESISTOR	12kΩ,1/16W		R4714	NRSA63J-122X	MG RESISTOR	1.2kΩ,1/16W
	R4003	NRSA63J-153X	MG RESISTOR	15kΩ,1/16W		R4721	NRVA63D-680X	CMF RESISTOR	68Ω,1/16W
	R4004	NRSA63J-103X	MG RESISTOR	10kΩ,1/16W		R4722	NRVA63D-680X	CMF RESISTOR	68Ω,1/16W
	R4006	NRVA63D-103X	CMF RESISTOR	10kΩ,1/16W		R4723	NRVA63D-680X	CMF RESISTOR	68Ω,1/16W
	R4007	NRVA63D-392X	CMF RESISTOR	3.9kΩ,1/16W		R4749	NRSA63J-0R0X	MG RESISTOR	0Ω,1/16W
	R4008	NRVA63D-272X	CMF RESISTOR	2.7kΩ,1/16W		R4750	NRSA63J-122X	MG RESISTOR	1.2kΩ,1/16W
	R4009	NRVA63D-152X	CMF RESISTOR	1.5kΩ,1/16W		R5201	NRSA63J-243X	MG RESISTOR	24kΩ,1/16W
	R4010	NRVA63D-122X	CMF RESISTOR	1.2kΩ,1/16W		R5202	NRSA63J-220X	MG RESISTOR	22Ω,1/16W
	R4015	NRSA63J-103X	MG RESISTOR	10kΩ,1/16W		R5203	NRSA63J-0R0X	MG RESISTOR	0Ω,1/16W
	R4016	NRSA63J-103X	MG RESISTOR	10kΩ,1/16W		R5205	NRSA63J-102X	MG RESISTOR	1kΩ,1/16W
	R4017	NRSA63J-103X	MG RESISTOR	10kΩ,1/16W		R5206	NRSA63J-102X	MG RESISTOR	1kΩ,1/16W

#	△ REF No.	PART No.	PART NAME, DESCRIPTION	#	△ REF No.	PART No.	PART NAME, DESCRIPTION
R5207		NRSA63J-102X	MG RESISTOR 1kΩ,1/16W	R6706		NR20058-R20X	MG RESISTOR 0.2Ω,1/2W
R5212		NRSA63J-101X	MG RESISTOR 100Ω,1/16W	R6707		NRS016J-121X	MG RESISTOR 120Ω,1W
R5213		NRSA63J-101X	MG RESISTOR 100Ω,1/16W	R6708		NRS016J-121X	MG RESISTOR 120Ω,1W
R5214		NRSA63J-101X	MG RESISTOR 100Ω,1/16W	R6709		NRS016J-121X	MG RESISTOR 120Ω,1W
R5215		NRSA63J-104X	MG RESISTOR 100kΩ,1/16W	R6710		NRVA63D-823X	CMF RESISTOR 82kΩ,1/16W
R5216		NRSA63J-100X	MG RESISTOR 10Ω,1/16W	R6711		NRVA63D-333X	CMF RESISTOR 33kΩ,1/16W
R5217		NRSA63J-104X	MG RESISTOR 100kΩ,1/16W	R6712		NRSA63J-222X	MG RESISTOR 2.2kΩ,1/16W
R5218		NRSA63J-0R0X	MG RESISTOR 0Ω,1/16W	R6713		NRSA63J-562X	MG RESISTOR 5.6kΩ,1/16W
R5220		NRSA63J-0R0X	MG RESISTOR 0Ω,1/16W	R6801		NRSA63J-102X	MG RESISTOR 1kΩ,1/16W
R6001		NRSA63J-104X	MG RESISTOR 100kΩ,1/16W	R6803		NRVA63D-223X	CMF RESISTOR 22kΩ,1/16W
R6002		NRSA63J-333X	MG RESISTOR 33kΩ,1/16W	R6804		NRVA63D-103X	CMF RESISTOR 10kΩ,1/16W
R6003		NRVA63D-912X	CMF RESISTOR 9.1kΩ,1/16W	R6810		NRSA63J-0R0X	MG RESISTOR 0Ω,1/16W
R6004		NRVA63D-471X	CMF RESISTOR 470Ω,1/16W	R6811		NRSA63J-102X	MG RESISTOR 1kΩ,1/16W
R6005		NRVA63D-183X	CMF RESISTOR 18kΩ,1/16W	R6813		NRVA63D-104X	CMF RESISTOR 100kΩ,1/16W
R6006		NRSA63J-472X	MG RESISTOR 4.7kΩ,1/16W	R6814		NRVA63D-683X	CMF RESISTOR 68kΩ,1/16W
R6008		NRVA63D-183X	CMF RESISTOR 18kΩ,1/16W	R6820		NRSA63J-102X	MG RESISTOR 1kΩ,1/16W
R6009		NRSA63J-224X	MG RESISTOR 220kΩ,1/16W	R6961		NRSA63J-223X	MG RESISTOR 22kΩ,1/16W
R6010		NRSA63J-473X	MG RESISTOR 47kΩ,1/16W	R7009		NRSA63J-0R0X	MG RESISTOR 0Ω,1/16W
R6011		NRSA63J-473X	MG RESISTOR 47kΩ,1/16W	R7025		NRSA63J-103X	MG RESISTOR 10kΩ,1/16W
R6012		NRSA63J-103X	MG RESISTOR 10kΩ,1/16W	R7027		NRSA63J-102X	MG RESISTOR 1kΩ,1/16W
R6015		NRSA63J-104X	MG RESISTOR 100kΩ,1/16W	R7028		NRSA63J-102X	MG RESISTOR 1kΩ,1/16W
R6016		NRSA63J-104X	MG RESISTOR 100kΩ,1/16W	R7031		NRSA63J-474X	MG RESISTOR 470kΩ,1/16W
R6019		NRSA63J-222X	MG RESISTOR 2.2kΩ,1/16W	R7032		NRSA63J-223X	MG RESISTOR 22kΩ,1/16W
R6020		NRSA63J-224X	MG RESISTOR 220kΩ,1/16W	R7033		NRSA63J-104X	MG RESISTOR 100kΩ,1/16W
R6021		NRSA63J-102X	MG RESISTOR 1kΩ,1/16W	R7035		NRSA63J-103X	MG RESISTOR 10kΩ,1/16W
R6022		NRSA63J-102X	MG RESISTOR 1kΩ,1/16W	R7040		NRVA63D-333X	CMF RESISTOR 33kΩ,1/16W
R6023		NRSA63J-102X	MG RESISTOR 1kΩ,1/16W	R7042		NRVA63D-123X	CMF RESISTOR 12kΩ,1/16W
R6103		NRVA63D-223X	CMF RESISTOR 22kΩ,1/16W	R7043		NRVA63D-123X	CMF RESISTOR 12kΩ,1/16W
R6104		NRVA63D-103X	CMF RESISTOR 10kΩ,1/16W	R7044		NRVA63D-752X	CMF RESISTOR 7.5kΩ,1/16W
R6203		NRVA63D-103X	CMF RESISTOR 10kΩ,1/16W	R7045		NRVA63D-103X	CMF RESISTOR 10kΩ,1/16W
R6204		NRVA63D-103X	CMF RESISTOR 10kΩ,1/16W	R7046		NRSA63J-103X	MG RESISTOR 10kΩ,1/16W
R6303		NRVA63D-183X	CMF RESISTOR 18kΩ,1/16W	R7049		NRSA63J-680X	MG RESISTOR 68Ω,1/16W
R6304		NRVA63D-472X	CMF RESISTOR 4.7kΩ,1/16W	R7050		NRSA63J-680X	MG RESISTOR 68Ω,1/16W
R6309		NRSA63J-103X	MG RESISTOR 10kΩ,1/16W	R7051		NRSA63J-680X	MG RESISTOR 68Ω,1/16W
R6310		NRSA63J-152X	MG RESISTOR 1.5kΩ,1/16W	R7057		NRSA63J-0R0X	MG RESISTOR 0Ω,1/16W
R6311		NRSA63J-473X	MG RESISTOR 47kΩ,1/16W	R7067		NRSA63J-223X	MG RESISTOR 22kΩ,1/16W
R6403		NRSA63J-473X	MG RESISTOR 47kΩ,1/16W	R7068		NRSA63J-223X	MG RESISTOR 22kΩ,1/16W
R6404		NRSA63J-302X	MG RESISTOR 3kΩ,1/16W	R7069		NRSA63J-223X	MG RESISTOR 22kΩ,1/16W
R6406		NRSA63J-183X	MG RESISTOR 18kΩ,1/16W	R7070		NRSA63J-223X	MG RESISTOR 22kΩ,1/16W
R6407		NRSA63J-823X	MG RESISTOR 82kΩ,1/16W	R7071		NRSA63J-223X	MG RESISTOR 22kΩ,1/16W
R6503		NRSA63J-243X	MG RESISTOR 24kΩ,1/16W	R7072		NRSA02J-182X	MG RESISTOR 1.8kΩ,1/10W
R6504		NRSA63J-332X	MG RESISTOR 3.3kΩ,1/16W	R7073		NRSA02J-331X	MG RESISTOR 330Ω,1/10W
R6506		NRSA63J-223X	MG RESISTOR 22kΩ,1/16W	R7074		NRSA63J-103X	MG RESISTOR 10kΩ,1/16W
R6507		NRSA63J-823X	MG RESISTOR 82kΩ,1/16W	R7077		NRVA63D-682X	CMF RESISTOR 6.8kΩ,1/16W
R6603		NRVA63D-683X	CMF RESISTOR 68kΩ,1/16W	R7083		NRSA63J-105X	MG RESISTOR 1MΩ,1/16W
R6604		NRVA63D-392X	CMF RESISTOR 3.9kΩ,1/16W	R7086		NRVA63D-123X	CMF RESISTOR 12kΩ,1/16W
R6605		NRSA63J-274X	MG RESISTOR 270kΩ,1/16W	R7091		NRVA63D-123X	CMF RESISTOR 12kΩ,1/16W
R6606		NRSA63J-272X	MG RESISTOR 2.7kΩ,1/16W	R7093		NRVA63D-223X	CMF RESISTOR 22kΩ,1/16W
R6612		NRSA63J-823X	MG RESISTOR 82kΩ,1/16W	R7096		NRVA63D-123X	CMF RESISTOR 12kΩ,1/16W
R6613		NRSA63J-104X	MG RESISTOR 100kΩ,1/16W	R7110		NRSA63J-105X	MG RESISTOR 1MΩ,1/16W
R6614		NRSA63J-472X	MG RESISTOR 4.7kΩ,1/16W	R7112		NRVA63D-332X	CMF RESISTOR 3.3kΩ,1/16W
R6616		NRSA63J-222X	MG RESISTOR 2.2kΩ,1/16W	R7114		NRVA63D-223X	CMF RESISTOR 22kΩ,1/16W
R6622		NRVA63D-104X	CMF RESISTOR 100kΩ,1/16W	R7116		NRVA63D-332X	CMF RESISTOR 3.3kΩ,1/16W
R6623		NRVA63D-473X	CMF RESISTOR 47kΩ,1/16W	R7118		NRVA63D-223X	CMF RESISTOR 22kΩ,1/16W
R6624		NRSA63J-273X	MG RESISTOR 27kΩ,1/16W	R7120		NRVA63D-332X	CMF RESISTOR 3.3kΩ,1/16W
R6625		NRSA63J-822X	MG RESISTOR 8.2kΩ,1/16W	R7122		NRVA63D-223X	CMF RESISTOR 22kΩ,1/16W
R6626		NRVA63D-563X	CMF RESISTOR 56kΩ,1/16W	R7124		NRVA63D-103X	CMF RESISTOR 10kΩ,1/16W
R6627		NRVA63D-363X	CMF RESISTOR 36kΩ,1/16W	R7127		NRVA63D-103X	CMF RESISTOR 10kΩ,1/16W
R6701		NRSA63J-680X	MG RESISTOR 68Ω,1/16W	R7128		NRVA63D-103X	CMF RESISTOR 10kΩ,1/16W
R6702		NRSA63J-221X	MG RESISTOR 220Ω,1/16W	R7129		NRVA63D-103X	CMF RESISTOR 10kΩ,1/16W
R6704		NRVA63D-472X	CMF RESISTOR 4.7kΩ,1/16W	R7130		NRVA63D-103X	CMF RESISTOR 10kΩ,1/16W

#	△ REF No.	PART No.	PART NAME, DESCRIPTION		#	△ REF No.	PART No.	PART NAME, DESCRIPTION	
	R7131	NRVA63D-103X	CMF RESISTOR	10kΩ,1/16W		C1611	NCB31CK-104X	CAPACITOR	0.1μF,16V
	R7132	NRVA63D-103X	CMF RESISTOR	10kΩ,1/16W		C1612	NDC31HJ-331X	CAPACITOR	330pF,50V
	R7139	NRVA63D-911X	CMF RESISTOR	910Ω,1/16W		C1613	NCB21CK-334X	CAPACITOR	0.33μF,16V
	R7143	NRSA63J-0R0X	MG RESISTOR	0Ω,1/16W		C1614	NBE41AM-226X	T CAPACITOR	22μF,10V
	R7213	NRSA63J-0R0X	MG RESISTOR	0Ω,1/16W		C1615	NCB31HK-681X	CAPACITOR	680pF,50V
	RA101	NRZ0038-222X	NETWORK RESISTOR	2.2kΩ		C1616	NCB21CK-474X	CAPACITOR	0.47μF,16V
	RA102	NRZ0038-222X	NETWORK RESISTOR	2.2kΩ		C1617	NCB31HK-152X	CAPACITOR	0.0015μF,50V
	RA103	NRZ0038-222X	NETWORK RESISTOR	2.2kΩ		C1618	NBE21AM-106X	T CAPACITOR	10μF,10V
	RA104	NRZ0038-222X	NETWORK RESISTOR	2.2kΩ		C1619	NCB31CK-223X	CAPACITOR	0.022μF,16V
	RA105	NRZ0038-473X	NETWORK RESISTOR	47kΩ		C1620	NCB31HK-472X	CAPACITOR	0.0047μF,50V
	RA106	NRZ0037-331X	NETWORK RESISTOR	330Ω		C1621	NBP41CM-106X	T CAPACITOR	10μF,16V
	RA107	NRZ0034-102W	NETWORK RESISTOR	1kΩ		C2001	NBE20JM-106X	T CAPACITOR	10μF,6.3V
	RA108	NRZ0034-102W	NETWORK RESISTOR	1kΩ		C2002	NFV41HJ-183X	MPPS CAPACITOR	0.018μF,50V
	RA109	NRZ0038-474X	NETWORK RESISTOR	470kΩ		C2003	NDC31HJ-331X	CAPACITOR	330pF,50V
	C102	NCF31EZ-104X	CAPACITOR	0.1μF,25V		C2004	NBE20JM-226X	T CAPACITOR	22μF,6.3V
	C103	NBE41AM-106X	T CAPACITOR	10μF,10V		C2005	NCB21CK-105X	CAPACITOR	1μF,16V
	C104	NCB31EK-103X	CAPACITOR	0.01μF,25V		C2021	NCB31EK-103X	CAPACITOR	0.01μF,25V
	C105	NCB21CK-224X	CAPACITOR	0.22μF,16V		C2022	NBE90GM-156X	T CAPACITOR	15μF,4.0V
	C106	NCF31EZ-104X	CAPACITOR	0.1μF,25V		C2023	NBE91CM-105X	T CAPACITOR	1μF,16V
	C107	NCB31EK-103X	CAPACITOR	0.01μF,25V		C2024	NCB31HK-102X	CAPACITOR	0.001μF,50V
	C108	NBE21AM-225X	T CAPACITOR	2.2μF,10V		C2025	NCB30JK-105X	CAPACITOR	1μF,6.3V
	C109	NBE41AM-106X	T CAPACITOR	10μF,10V		C2026	NCB31HK-222X	CAPACITOR	0.0022μF,50V
	C110	NDC31HJ-101X	CAPACITOR	100pF,50V		C2027	NCB30JK-474X	CAPACITOR	0.47μF,6.3V
	C111	NEA70JM-226X	E CAPACITOR	22μF,6.3V		C2028	NCB30JK-105X	CAPACITOR	1μF,6.3V
	C112	NEA70JM-226X	E CAPACITOR	22μF,6.3V		C2029	NCB30JK-105X	CAPACITOR	1μF,6.3V
	C113	NCB31EK-103X	CAPACITOR	0.01μF,25V		C2031	NCB31CK-104X	CAPACITOR	0.1μF,16V
	C114	NCB31EK-103X	CAPACITOR	0.01μF,25V		C2032	NCB31HK-472X	CAPACITOR	0.0047μF,50V
	C115	NCF31EZ-104X	CAPACITOR	0.1μF,25V		C2033	NBE20JM-475X	T CAPACITOR	4.7μF,6.3V
	C116	NCB31EK-103X	CAPACITOR	0.01μF,25V		C2034	NCB31CK-104X	CAPACITOR	0.1μF,16V
	C118	NCF31EZ-104X	CAPACITOR	0.1μF,25V		C2035	NBE20JM-226X	T CAPACITOR	22μF,6.3V
	C119	NCB31EK-103X	CAPACITOR	0.01μF,25V		C2036	NBE20JM-106X	T CAPACITOR	10μF,6.3V
	C120	NCB31EK-103X	CAPACITOR	0.01μF,25V		C2037	NBE20JM-226X	T CAPACITOR	22μF,6.3V
	C121	NCF31EZ-104X	CAPACITOR	0.1μF,25V		C2038	NCB30JK-474X	CAPACITOR	0.47μF,6.3V
	C122	NCF31EZ-104X	CAPACITOR	0.1μF,25V		C2039	NDC31HJ-330X	CAPACITOR	33pF,50V
	C123	NDC31HJ-100X	CAPACITOR	10pF,50V		C2051	NCB31EK-103X	CAPACITOR	0.01μF,25V
	C124	NDC31HJ-100X	CAPACITOR	10pF,50V		C2071	NBE20JM-106X	T CAPACITOR	10μF,6.3V
	C125	NCB31EK-103X	CAPACITOR	0.01μF,25V		C2072	NCB31HK-222X	CAPACITOR	0.0022μF,50V
	C126	NDC31HJ-120X	CAPACITOR	12pF,50V		C2401	NEA70GM-476X	E CAPACITOR	47μF,4.0V
	C127	NCB31CK-333X	CAPACITOR	0.033μF,16V		C2402	NCB30JK-105X	CAPACITOR	1μF,6.3V
	C128	NCB21CK-474X	CAPACITOR	0.47μF,16V		C2403	NBE20JM-475X	T CAPACITOR	4.7μF,6.3V
	C129	NCB31CK-333X	CAPACITOR	0.033μF,16V		C2404	NCF31EZ-104X	CAPACITOR	0.1μF,25V
	C131	NCF31EZ-104X	CAPACITOR	0.1μF,25V		C3002	NCB21CK-105X	CAPACITOR	1μF,16V
	C132	NCF31EZ-104X	CAPACITOR	0.1μF,25V		C3003	NCB21CK-105X	CAPACITOR	1μF,16V
	C133	NCF31EZ-104X	CAPACITOR	0.1μF,25V		C3004	NCF31EZ-104X	CAPACITOR	0.1μF,25V
	C134	NCF31EZ-104X	CAPACITOR	0.1μF,25V		C3005	NCF31EZ-104X	CAPACITOR	0.1μF,25V
	C137	NCB31EK-223X	CAPACITOR	0.022μF,25V		C3006	NDC31HG-100X	CAPACITOR	10pF,50V
	C146	NCB31EK-103X	CAPACITOR	0.01μF,25V		C3007	NDC31HG-100X	CAPACITOR	10pF,50V
	C1201	NCB31HK-102X	CAPACITOR	0.001μF,50V		C3009	NCF31EZ-104X	CAPACITOR	0.1μF,25V
	C1202	NBE20JM-106X	T CAPACITOR	10μF,6.3V		C3011	NCF31EZ-104X	CAPACITOR	0.1μF,25V
	C1205	NCB31EK-153X	CAPACITOR	0.015μF,25V		C3012	NCF31EZ-104X	CAPACITOR	0.1μF,25V
	C1206	NBE20JM-106X	T CAPACITOR	10μF,6.3V		C3013	NCF31EZ-104X	CAPACITOR	0.1μF,25V
	C1601	NCB31EK-103X	CAPACITOR	0.01μF,25V		C3014	NCF31EZ-104X	CAPACITOR	0.1μF,25V
	C1602	NCB21CK-224X	CAPACITOR	0.22μF,16V		C3015	NCF31EZ-104X	CAPACITOR	0.1μF,25V
	C1603	NCB31CK-223X	CAPACITOR	0.022μF,16V		C3017	NCF31EZ-104X	CAPACITOR	0.1μF,25V
	C1604	NCB31CK-223X	CAPACITOR	0.022μF,16V		C3019	NCB31EK-103X	CAPACITOR	0.01μF,25V
	C1605	NCB31CK-223X	CAPACITOR	0.022μF,16V		C3020	NCB31EK-103X	CAPACITOR	0.01μF,25V
	C1606	NCB31CK-104X	CAPACITOR	0.1μF,16V		C3027	NCB31EK-103X	CAPACITOR	0.01μF,25V
	C1607	NCB31CK-104X	CAPACITOR	0.1μF,16V		C3028	NCB31EK-103X	CAPACITOR	0.01μF,25V
	C1608	NCB31CK-683X	CAPACITOR	0.068μF,16V		C3033	NCB31CK-104X	CAPACITOR	0.1μF,16V
	C1609	NCB31CK-104X	CAPACITOR	0.1μF,16V		C3037	NDC31HJ-100X	CAPACITOR	10pF,50V
	C1610	NCB31CK-104X	CAPACITOR	0.1μF,16V		C3506	NCB31EK-103X	CAPACITOR	0.01μF,25V

#	△ REF No.	PART No.	PART NAME, DESCRIPTION		#	△ REF No.	PART No.	PART NAME, DESCRIPTION	
C3507		NCB31EK-103X	CAPACITOR	0.01μF,25V	C4709		NDC31HJ-150X	CAPACITOR	15pF,50V
C3508		NCB31EK-103X	CAPACITOR	0.01μF,25V	C4710		NCB31EK-103X	CAPACITOR	0.01μF,25V
C3509		NDC31HJ-221X	CAPACITOR	220pF,50V	C4721		NEAE0GM-107X	E CAPACITOR	100μF,4V
C3510		NCB31CK-104X	CAPACITOR	0.1μF,16V	C4722		NBE20GM-226X	T CAPACITOR	22μF,4V
C3512		NCB10JK-106X	CAPACITOR	10μF,6.3V	C4723		NEAE0GM-107X	E CAPACITOR	100μF,4V
C3513		NCB31CK-223X	CAPACITOR	0.022μF,16V	C4724		NBE20GM-226X	T CAPACITOR	22μF,4V
C3514		NCB21CK-105X	CAPACITOR	1μF,16V	C4725		NCB31EK-103X	CAPACITOR	0.01μF,25V
C3515		NCB31EK-103X	CAPACITOR	0.01μF,25V	C5203		NCB10JK-106X	CAPACITOR	10μF,6.3V
C3516		NDC31HJ-100X	CAPACITOR	10pF,50V	C5207		NCB31EK-103X	CAPACITOR	0.01μF,25V
C3902		NCB31EK-103X	CAPACITOR	0.01μF,25V	C5208		NCB31EK-103X	CAPACITOR	0.01μF,25V
C3903		NDC31HJ-3R0X	CAPACITOR	3pF,50V	C5209		NCB31EK-103X	CAPACITOR	0.01μF,25V
C4006		NCF31EZ-104X	CAPACITOR	0.1μF,25V	C5210		NCF31EZ-104X	CAPACITOR	0.1μF,25V
C4008		NCF31EZ-104X	CAPACITOR	0.1μF,25V	C5211		NCB21CK-105X	CAPACITOR	1μF,16V
C4009		NCF31EZ-104X	CAPACITOR	0.1μF,25V	C5212		NCB21CK-105X	CAPACITOR	1μF,16V
C4010		NCF31EZ-104X	CAPACITOR	0.1μF,25V	C5213		NCB31HK-332X	CAPACITOR	0.0033μF,50V
C4012		NCF31EZ-104X	CAPACITOR	0.1μF,25V	C5214		NCB31EK-103X	CAPACITOR	0.01μF,25V
C4014		NCF31EZ-104X	CAPACITOR	0.1μF,25V	C5218		NCF31EZ-104X	CAPACITOR	0.1μF,25V
C4017		NCF31EZ-104X	CAPACITOR	0.1μF,25V	C5219		NBP21CM-685X	T CAPACITOR	6.8μF,16V
C4019		NCF31EZ-104X	CAPACITOR	0.1μF,25V	C5221		NCB11EK-105X	CAPACITOR	1μF,25V
C4022		NCF31EZ-104X	CAPACITOR	0.1μF,25V	C5222		NCB31CK-104X	CAPACITOR	0.1μF,16V
C4024		NCF31EZ-104X	CAPACITOR	0.1μF,25V	C5223		NCF31EZ-104X	CAPACITOR	0.1μF,25V
C4028		NCF31EZ-104X	CAPACITOR	0.1μF,25V	C5225		NCF31EZ-104X	CAPACITOR	0.1μF,25V
C4029		NCF31EZ-104X	CAPACITOR	0.1μF,25V	C5227		NCB31CK-104X	CAPACITOR	0.1μF,16V
C4030		NCF31EZ-104X	CAPACITOR	0.1μF,25V	C5228		NCF31EZ-104X	CAPACITOR	0.1μF,25V
C4036		NCF31EZ-104X	CAPACITOR	0.1μF,25V	C5229		NCB11EK-105X	CAPACITOR	1μF,25V
C4040		NCB21CK-105X	CAPACITOR	1μF,16V	C5230		NCB21EK-104X	CAPACITOR	0.1μF,25V
C4044		NCB21CK-105X	CAPACITOR	1μF,16V	C5232		NDC31HJ-100X	CAPACITOR	10pF,50V
C4048		NCB10JK-106X	CAPACITOR	10μF,6.3V	C5233		NDC31HJ-100X	CAPACITOR	10pF,50V
C4049		NDC31HJ-100X	CAPACITOR	10pF,50V	C5234		NDC31HJ-100X	CAPACITOR	10pF,50V
C4051		NDC31HJ-221X	CAPACITOR	220pF,50V	C5235		NDC31HJ-100X	CAPACITOR	10pF,50V
C4052		NCB21CK-105X	CAPACITOR	1μF,16V	C5236		NDC31HJ-100X	CAPACITOR	10pF,50V
C4053		NCF31EZ-104X	CAPACITOR	0.1μF,25V	C5237		NDC31HJ-100X	CAPACITOR	10pF,50V
C4201		NEA71HM-225X	E CAPACITOR	2.2μF,50V	C6002		NEA71CM-106X	E CAPACITOR	10μF,16V
C4202		NCF31EZ-104X	CAPACITOR	0.1μF,25V	C6004		NCF21CZ-105X	CAPACITOR	1μF,16V
C4203		NCB31CK-104X	CAPACITOR	0.1μF,16V	C6005		NCB21CK-105X	CAPACITOR	1μF,16V
C4205		NCB31EK-103X	CAPACITOR	0.01μF,25V	C6006		NCF21CZ-105X	CAPACITOR	1μF,16V
C4206		NCB31CK-104X	CAPACITOR	0.1μF,16V	C6007		NCB21CK-105X	CAPACITOR	1μF,16V
C4207		NCB31EK-103X	CAPACITOR	0.01μF,25V	C6009		NDC31HJ-820X	CAPACITOR	82pF,50V
C4208		NCB31CK-104X	CAPACITOR	0.1μF,16V	C6010		NCB21CK-224X	CAPACITOR	0.22μF,16V
C4209		NCF21CZ-105X	CAPACITOR	1μF,16V	C6011		NCB21CK-104X	CAPACITOR	0.1μF,16V
C4210		NCF21CZ-105X	CAPACITOR	1μF,16V	C6012		NCB21CK-224X	CAPACITOR	0.22μF,16V
C4251		NEA71HM-335X	E CAPACITOR	3.3μF,50V	C6013		NCB31EK-473X	CAPACITOR	0.047μF,25V
C4252		NCB31CK-104X	CAPACITOR	0.1μF,16V	C6014		NCB31EK-473X	CAPACITOR	0.047μF,25V
C4253		NCB31EK-153X	CAPACITOR	0.015μF,25V	C6015		NCB31EK-473X	CAPACITOR	0.047μF,25V
C4254		NCB31EK-153X	CAPACITOR	0.015μF,25V	C6016		NCB31EK-473X	CAPACITOR	0.047μF,25V
C4256		NEA71CM-106X	E CAPACITOR	10μF,16V	C6017		NCF21CZ-105X	CAPACITOR	1μF,16V
C4502		NBE21AM-106X	T CAPACITOR	10μF,10V	C6018		NCB21CK-224X	CAPACITOR	0.22μF,16V
C4504		NCF31EZ-104X	CAPACITOR	0.1μF,25V	C6020		NCB21CK-224X	CAPACITOR	0.22μF,16V
C4505		NDC31HJ-330X	CAPACITOR	33pF,50V	C6101		NCB21CK-105X	CAPACITOR	1μF,16V
C4506		NCB31HK-102X	CAPACITOR	0.001μF,50V	C6102		NCB10JK-106X	CAPACITOR	10μF,6.3V
C4507		NCB31HK-102X	CAPACITOR	0.001μF,50V	C6105		NCB31HK-102X	CAPACITOR	0.001μF,50V
C4508		NCB31HK-102X	CAPACITOR	0.001μF,50V	C6110		NCB31HK-152X	CAPACITOR	0.0015μF,50V
C4509		NCB31HK-102X	CAPACITOR	0.001μF,50V	C6201		NCB21CK-105X	CAPACITOR	1μF,16V
C4510		NCB31CK-104X	CAPACITOR	0.1μF,16V	C6202		NCB10JK-106X	CAPACITOR	10μF,6.3V
C4511		NCF31EZ-104X	CAPACITOR	0.1μF,25V	C6203		NEA70JM-476X	E CAPACITOR	47μF,6.3V
C4701		NBE20JM-106X	T CAPACITOR	10μF,6.3V	C6205		NCB31HK-472X	CAPACITOR	0.0047μF,50V
C4702		NCF31EZ-104X	CAPACITOR	0.1μF,25V	C6210		NCB31EK-103X	CAPACITOR	0.01μF,25V
C4705		NDC31HJ-270X	CAPACITOR	27pF,50V	C6301		NCB11CK-225X	CAPACITOR	2.2μF,16V
C4706		NDC31HJ-150X	CAPACITOR	15pF,50V	C6302		NCB10JK-106X	CAPACITOR	10μF,6.3V
C4707		NCB21CK-105X	CAPACITOR	1μF,16V	C6303		NEA70JM-226X	E CAPACITOR	22μF,6.3V
C4708		NDC31HJ-270X	CAPACITOR	27pF,50V	C6305		NCB31HK-561X	CAPACITOR	560pF,50V

#	△	REF No.	PART No.	PART NAME, DESCRIPTION		#	△	REF No.	PART No.	PART NAME, DESCRIPTION	
C6308			NBE20JM-106X	T CAPACITOR	10μF,6.3V	C7059			NBP41EM-475X	T CAPACITOR	4.7μF,25V
C6310			NCB31HK-102X	CAPACITOR	0.001μF,50V	C7060			NCB11CK-225X	CAPACITOR	2.2μF,16V
C6401			NCB21CK-105X	CAPACITOR	1μF,16V	C7064			NCB11EK-105X	CAPACITOR	1μF,25V
C6402			NCF21CZ-105X	CAPACITOR	1μF,16V	C7065			NCB11EK-105X	CAPACITOR	1μF,25V
C6406			NCB31CK-683X	CAPACITOR	0.068μF,16V	C7066			NCB11EK-105X	CAPACITOR	1μF,25V
C6410			NCB21CK-474X	CAPACITOR	0.47μF,16V	C7067			NCB31CK-104X	CAPACITOR	0.1μF,16V
C6501			NCB21CK-105X	CAPACITOR	1μF,16V	C7069			NCB31EK-103X	CAPACITOR	0.01μF,25V
C6502			NCF21CZ-105X	CAPACITOR	1μF,16V	L101			NQL034K-330X	COIL	33μH
C6506			NCB21CK-224X	CAPACITOR	0.22μF,16V	L501			NQR0129-002X	FERRITE BEAD	
C6510			NCB31CK-104X	CAPACITOR	0.1μF,16V	L1601			NQL38DK-100X	COIL	10μH
C6601			NCB11CK-225X	CAPACITOR	2.2μF,16V	L1602			NQL144K-100X	COIL	10μH
C6602			NCF21CZ-105X	CAPACITOR	1μF,16V	L2001			NQL144K-101X	COIL	100μH
C6603			NCB11CK-475X	CAPACITOR	4.7μF,16V	L2003			NQL034K-470X	COIL	47μH
C6605			NDC31HJ-331X	CAPACITOR	330pF,50V	L2004			NQR0403-003X	FERRITE BEAD	
C6606			NCF21CZ-105X	CAPACITOR	1μF,16V	L2021			NQL144K-470X	COIL	47μH
C6607			NCB11EK-105X	CAPACITOR	1μF,25V	L2022			NQR0403-003X	FERRITE BEAD	
C6610			NCB31EK-103X	CAPACITOR	0.01μF,25V	L2023			NQR0406-003X	FERRITE BEAD	
C6616			NCB21CK-105X	CAPACITOR	1μF,16V	L2401			NQL144K-470X	COIL	47μH
C6622			NCB21CK-105X	CAPACITOR	1μF,16V	L3002			NQR0006-001X	FERRITE BEAD	
C6700			NCB31HK-272X	CAPACITOR	0.0027μF,50V	L3003			NQR0129-002X	FERRITE BEAD	
C6701			NCF21CZ-105X	CAPACITOR	1μF,16V	L3502			NQL38DK-220X	COIL	22μH
C6702			NCB41CK-106X	CAPACITOR	10μF,16V	L3503			NQL085J-5R6X	COIL	5.6μH
C6711			NCB21HK-472X	CAPACITOR	0.0047μF,50V	L4201			NQR0006-001X	FERRITE BEAD	
C6802			NCF21CZ-105X	CAPACITOR	1μF,16V	L4501			NQR0006-001X	FERRITE BEAD	
C6805			NCB31HK-102X	CAPACITOR	0.001μF,50V	L4502			NQL034K-220X	COIL	22μH
C6810			NCB31EK-103X	CAPACITOR	0.01μF,25V	L4701			NQL38DK-220X	COIL	22μH
C6812			NCF21CZ-105X	CAPACITOR	1μF,16V	L5201			NQL38DK-470X	COIL	47μH
C6820			NCB31HK-102X	CAPACITOR	0.001μF,50V	L5202			NQL38DK-220X	COIL	22μH
C7001			NCB31EK-103X	CAPACITOR	0.01μF,25V	L5203			NQL38DK-220X	COIL	22μH
C7002			NBE20JM-106X	T CAPACITOR	10μF,6.3V	L6001			NQL52EM-100X	COIL	10μH
C7013			NCB30JK-105X	CAPACITOR	1μF,6.3V	L6002			NQL52EM-100X	COIL	10μH
C7019			NDC31HJ-121X	CAPACITOR	120pF,50V	L6101			NQL52EM-390X	COIL	39μH
C7020			NDC31HJ-151X	CAPACITOR	150pF,50V	L6201			NQL52EM-470X	COIL	47μH
C7021			NBP41EM-475X	T CAPACITOR	4.7μF,25V	L6301			NQL52EM-390X	COIL	39μH
C7022			NCB31EK-103X	CAPACITOR	0.01μF,25V	L6401			NQL52EM-470X	COIL	47μH
C7023			NCB31EK-103X	CAPACITOR	0.01μF,25V	L6501			NQL52EM-470X	COIL	47μH
C7024			NBP41EM-475X	T CAPACITOR	4.7μF,25V	L6601			NQL52EM-221X	COIL	220μH
C7025			NCB31EK-103X	CAPACITOR	0.01μF,25V	L6602			NQL144K-221X	COIL	220μH
C7026			NBE20JM-106X	T CAPACITOR	10μF,6.3V	L6606			NQL144K-220X	COIL	22μH
C7028			NCB31EK-103X	CAPACITOR	0.01μF,25V	L6701			NQL52EM-100X	COIL	10μH
C7029			NCB31CK-104X	CAPACITOR	0.1μF,16V	L7001			NQL38DK-220X	COIL	22μH
C7030			NCB31EK-103X	CAPACITOR	0.01μF,25V	L7005			NQL38DK-220X	COIL	22μH
C7031			NDC31HJ-220X	CAPACITOR	22pF,50V	L7006			NQL38DK-220X	COIL	22μH
C7032			NCB31CK-104X	CAPACITOR	0.1μF,16V	L7007			NQL38DK-220X	COIL	22μH
C7033			NCB21CK-334X	CAPACITOR	0.33μF,16V	L7008			NQL38DK-220X	COIL	22μH
C7034			NDC31HJ-331X	CAPACITOR	330pF,50V	L7009			NQL38DK-220X	COIL	22μH
C7035			NDC31HJ-330X	CAPACITOR	33pF,50V	L7010			NQL085J-4R7X	COIL	4.7μH
C7036			NCB31CK-104X	CAPACITOR	0.1μF,16V	L7012			NQL144K-100X	COIL	10μH
C7037			NDC31HJ-330X	CAPACITOR	33pF,50V	X101			NAX0251-001X	CRYSTAL RESONATOR	
C7038			NCB31EK-103X	CAPACITOR	0.01μF,25V	X102			NAX0325-001X	CRYSTAL RESONATOR	
C7039			NBP41CM-106X	T CAPACITOR	10μF,16V	X3001			QAX0596-001	CRYSTAL RESONATOR	
C7042			NCB31EK-103X	CAPACITOR	0.01μF,25V	WR1			WJV0039-001A	E-PRIMARY WIRE, JUMP WIRE	
C7045			NDC31HJ-100X	CAPACITOR	10pF,50V	△ J101			QAB0022-001	LI BATTERY	
C7046			NDC31HJ-100X	CAPACITOR	10pF,50V	J504			LY31356-002A	JACK UNIT	
C7047			NDC31HJ-100X	CAPACITOR	10pF,50V	J505			QND0068-001	S JACK	
C7048			NBE20JM-106X	T CAPACITOR	10μF,6.3V	CN1			QGF0507F3-10X	FFC/FPC CONNECTOR	
C7051			NCB31EK-103X	CAPACITOR	0.01μF,25V	CN2			QGF0507F3-14X	FFC/FPC CONNECTOR	
C7052			NBE20JM-106X	T CAPACITOR	10μF,6.3V	CN3			QGF0505F2-18X	FPC CONNECTOR	
C7053			NCB31EK-103X	CAPACITOR	0.01μF,25V	CN4			QGA1201F2-06X	CONNECTOR	
C7054			NBP41EM-475X	T CAPACITOR	4.7μF,25V	CN5			QGF0507F1-11X	FPC CONNECTOR	
C7057			NCB31EK-682X	CAPACITOR	0.0068μF,25V	CN7			QGF0507F3-11X	FFC/FPC CONNECTOR	

#	△ REF No.	PART No.	PART NAME, DESCRIPTION	
		CN8	QGA1201C2-02X	CONNECTOR
		CN12	QGA1201F2-05X	CONNECTOR
		CN13	QGF0507F3-14X	FFC/FPC CONNECTOR
		CN15	QGF0507F1-22X	FPC CONNECTOR
		CN16	QGF0305F1-33X	FPC CONNECTOR
		CN18	QGF0507F3-12X	FFC/FPC CONNECTOR
		CN22	QGF0507F3-14X	FFC/FPC CONNECTOR
		CN25	QGB0506L1-30X	CONNECTOR
		CN27	QGA1201C2-02X	CONNECTOR
		CN28	QGA1002F1-13X	CONNECTOR
△	F6001	NMFZ007-2R0X-K	FUSE	T2.0A
△	F6002	NMFZ010-R50X-A	FUSE	T0.5A
	SD1	LY43082-001A	SHIELD SHEET	
	OT1	LY30016-049A	SPACER-A, FOR WR1	
	OT2	LY30029-0B6A	SPACER(A), FOR LI BATTERY	

#	△ REF No.	PART No.	PART NAME, DESCRIPTION
---	-----------	----------	------------------------

MONITOR BOARD ASSEMBLY <07>

PW	YB20900B-02	MONITOR BOARD ASSY		
IC7501	TC7WH34FK	IC		
Q7501	2SD1664/QR/-W	TRANSISTOR		
Q7502	2SD1664/QR/-W	TRANSISTOR		
Q7503	DTA144EE	TRANSISTOR		
Q7504	DTC144EE	TRANSISTOR		
Q7507	DTA144EE	TRANSISTOR		
R7501	NRSA63J-102X	MG RESISTOR	1kΩ, 1/16W	
R7502	NRSA63J-102X	MG RESISTOR	1kΩ, 1/16W	
R7503	NRSA63J-102X	MG RESISTOR	1kΩ, 1/16W	
R7513	NRSA63J-103X	MG RESISTOR	10kΩ, 1/16W	
R7515	NRSA63J-302X	MG RESISTOR	3kΩ, 1/16W	
R7516	NVP0016-103X	TRIM RESISTOR, V COM	10kΩ	
R7517	NRSA63J-563X	MG RESISTOR	56kΩ, 1/16W	
C7501	NCZ1016-120X	CAPACITOR	12pF, 2kV	
C7502	NCB31EK-103X	CAPACITOR	0.01μF, 25V	
C7504	NCB31EK-103X	CAPACITOR	0.01μF, 25V	
C7505	NCB10JK-106X	CAPACITOR	10μF, 6.3V	
C7511	NCB21EK-273X	CAPACITOR	0.027μF, 25V	
L7501	NQLZ010-680X	COIL	68μH	
L7502	NQL03BK-100X	COIL	10μH	
T7501	NQS0049-001X	SW TRANSF		
CN7501	QGF0501F1-28X	FPC CONNECTOR		
CN7502	QGF0505F1-24X	FPC CONNECTOR		
CN7503	QGA5002F1-02X	CONNECTOR		
△	F7501	NMFZ009-R375XJ1	FUSE	T0.37A
	OT1	LY41726-001A	PLATE(EARTH)	